

# Swiss Quality Plant Technology





## Contents

- |   |  |    |  |
|---|--|----|--|
| 3 | Nencki Ltd.<br>Plant technology for all requirements | 8  | Special fields: lifting and lowering devices |
| 4 | Our competence: Engineering                          | 9  | Special fields: working platforms            |
| 5 | Our competence: Manufacturing                        | 10 | Special fields: superstructures on rail cars |
| 6 | Our competence: System integration                   | 11 | Special fields: Equipment for waste disposal |
| 7 | Our competence: Commissioning / service              |    |  |

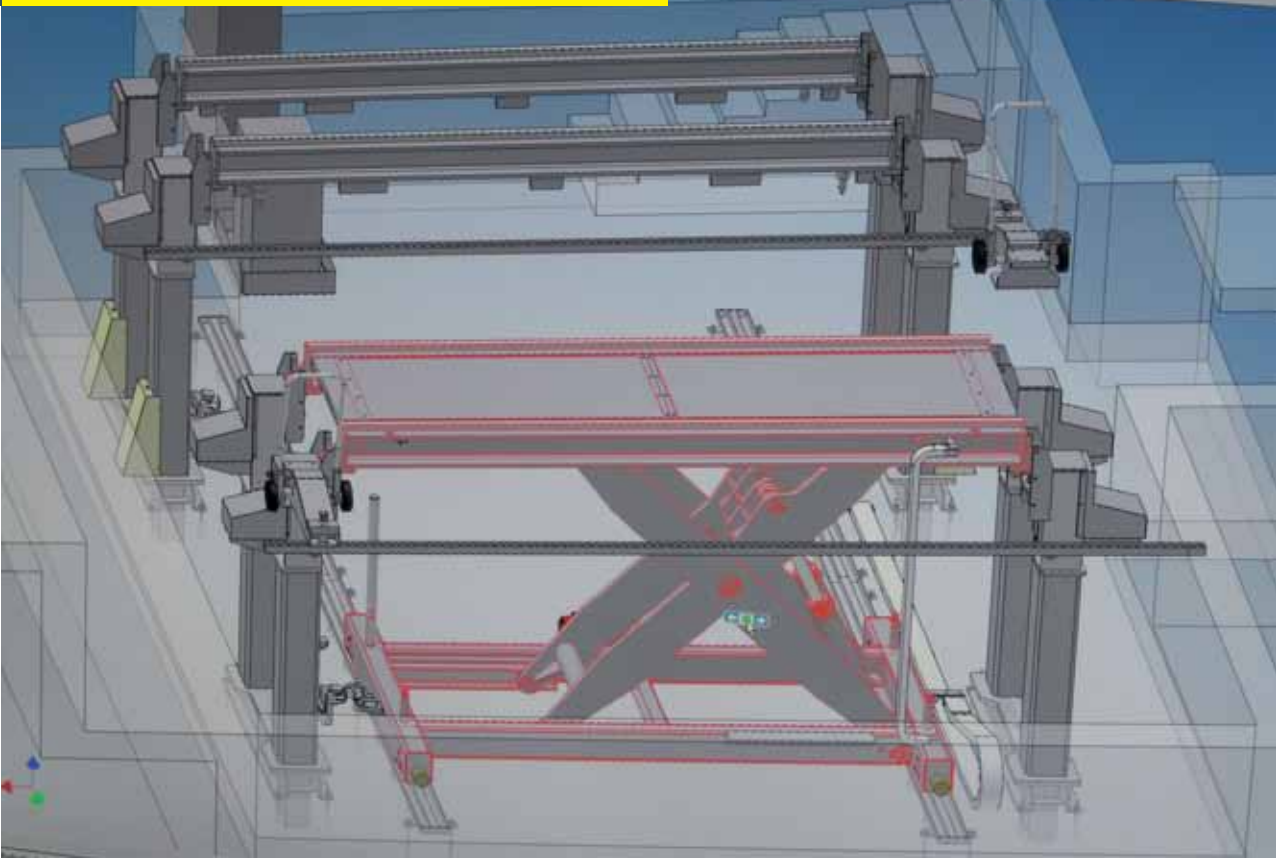
# **Plant technology for all requirements**

„Impossible“ .....is a foreign word for Nencki Ltd. Thanks to our competence and experience, as described on the following pages, we find a solution together with our clients, even if the requirements are very complex. Engineering, manufacturing, assembly and controls etc. , all from a single source, is our strength.

The following special fields have been treated most intensive in the past years

- Lifting and lowering devices
- Working platforms
- Superstructures on rail cars
- Equipment for waste disposal

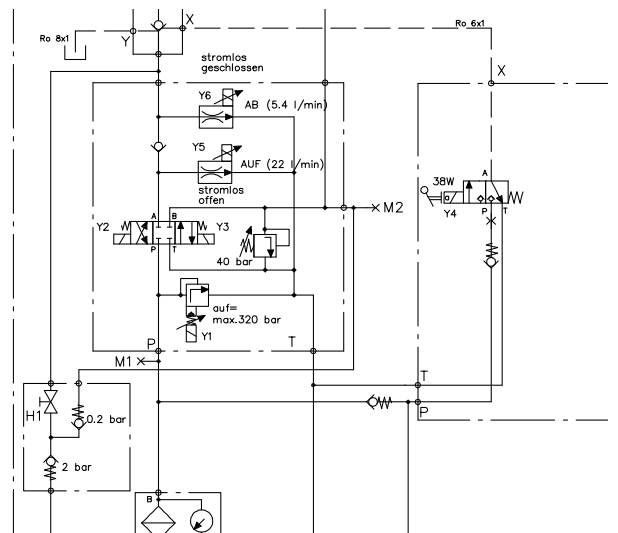
We shall be happy to carry out a proposal also for your requirements, independent from the field of application. Looking forward to your contact.



## Custom made solutions Engineering

„All from a single source“ or “turnkey projects” are slogans, which Nencki Ltd. has declared as their goal. Several of our own engineers and technicians are responsible in their special fields, for Nencki Ltd. to develop and realise a suitable solution for the client's demanding requirements.

Basic as well as plant engineering are our strength for mechanical, hydraulic and pneumatic systems, measuring technology, electric control and software.







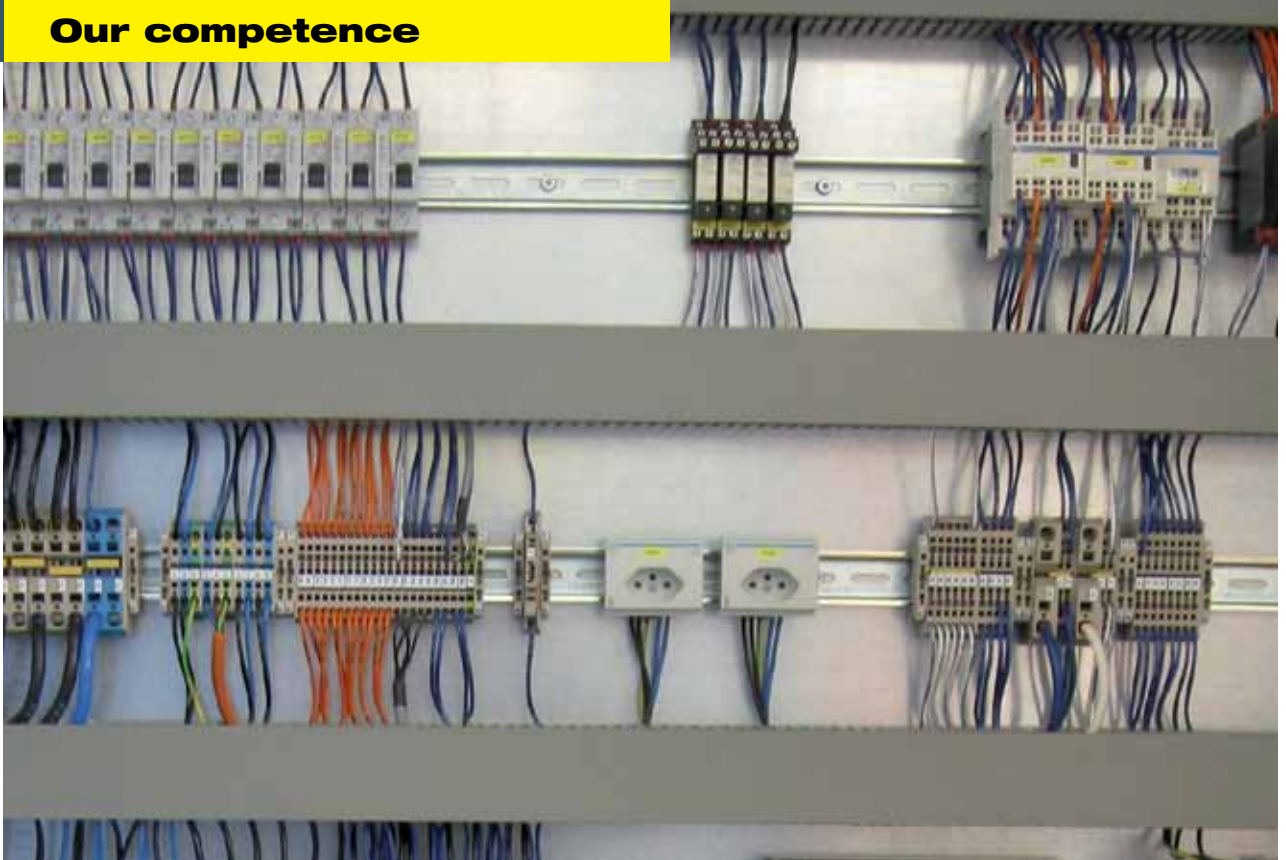
## Excellent quality with high flexibility Manufacturing

The purposely versatile installed production facilities of Nencki Ltd. enable us at all times under our own organization, a reliable, high quality, flexible and punctual manufacture of our customer goods.

Latest state of the art machining centres well mixed with proven special machines stand for the reason that almost everything can be produced by ourselves.

Our wide experiences are continuously fed back to our engineering departments. Mechanical machining of all kinds, welding, surface treatment, assembly and electrical installation are the main activities in our various workshops.

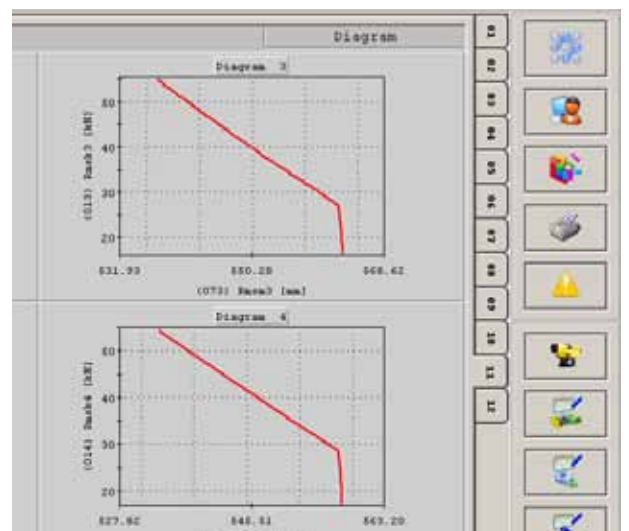
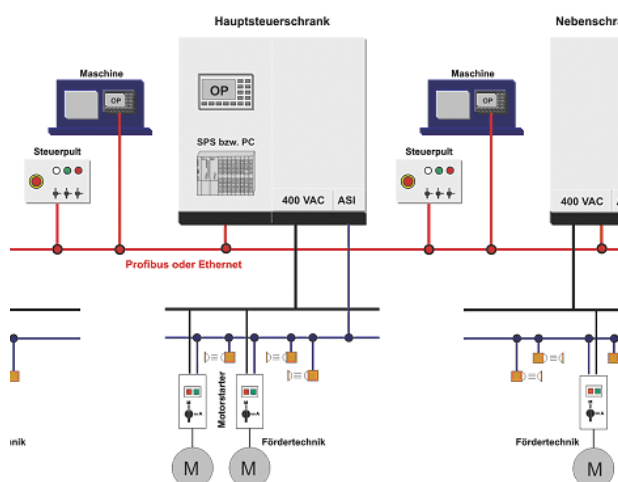




## Competent and complex System integration

Complex systems involving mechanical structures, drives, measuring technology, automatics and data management belong to the main products of Nencki Ltd. Our own specialists and production possibilities, also for electric controls, software applications and data management, ensure for our complex systems to be perfect.

The pronounced modularity of our solution enables us at anytime to meet with the specific customer's requirements and to complete approved, integrated products within a short period and for competitive prices. The integration of our machines and equipment into superior controls of the customers can be solved easily at all times.







### Careful and customer-friendly Commissioning/Service

Nencki Ltd. sets great store by the complete assembly and testing of customer goods as far as possible in their own workshop. Only carefully completed and successfully tested systems are then shipped to the customer and installed.

Detailed product documentation as well as intensive training at our premises or on site are in our scope of supply, also a competent customer support with advise, service and spare parts through the entire, long life time of a Nencki system.





### Lifting and lowering devices Safe and ergonomic

Lifting and lowering, nothing is too big or heavy for us. Nencki Ltd. develops and manufactures lifting systems for all requirements, for applications such as: railway maintenance (e.g. bogie changing facilities); logistics (e.g. truck lifts, special ramps); various industries,

height-adjustable boat landing bridges or special hydraulic cylinders of all types and dimensions. Our vast experience with numerous realised projects enables us to offer a tailor-made solution within a short delivery time and for competitive costs.







### Special working platforms Optimal working in narrowest conditions

Where the standard working platform is not sufficient, the modular technology of Nencki working platforms can be helpful. We design and manufacture stationary and rail-guided platforms for special room conditions and requirements regarding the intended use.

Our most applications can be found in the railway industry (maintenance work on the front, side and on the roof of rolling stock) and surface treatment (paint shops). Explosion proof types are therefore a matter of course. Requirements for other applications are always welcome to us.







## Superstructures on rail cars Efficient maintenance of the rail infrastructure

The railway infrastructure requires various remedies for different maintenance tasks regarding catenary lines, tracks, tunnels, side slopes. Economic and modern remedies increase quality and efficiency of the maintenance work.

Nencki Ltd. installs flat carrier rail car, which can be used on site as self-propelled units, thanks to own

underfloor drive gear (diesel engine, hydro-static axle gear) as well as regulated brake system.

Therefore available are many maintenance remedies such as cranes, working platforms, cable laying devices, side slope mower or inspection equipment.





## Equipment for waste disposal Solutions for waste handling and compaction

Nencki Ltd. designs and supplies various systems and equipment for waste handling as well as for waste to energy plants:

- Waste compacting and hauling stations in order to reduce individual transporting costs
- Bottom ash loading systems
- Unclogging devices
- Bunker doors and covers

We realise complete systems including controls and safety equipment in direct collaboration with the end user or through contracts with general contractors.





**Nencki Ltd.**

Aarwangenstrasse 90  
CH-4901 Langenthal, Switzerland  
Phone +41 (0)62 919 93 93  
Fax +41 (0)62 919 93 90  
EMail [info@nencki.ch](mailto:info@nencki.ch)  
[www.nencki.ch](http://www.nencki.ch)

